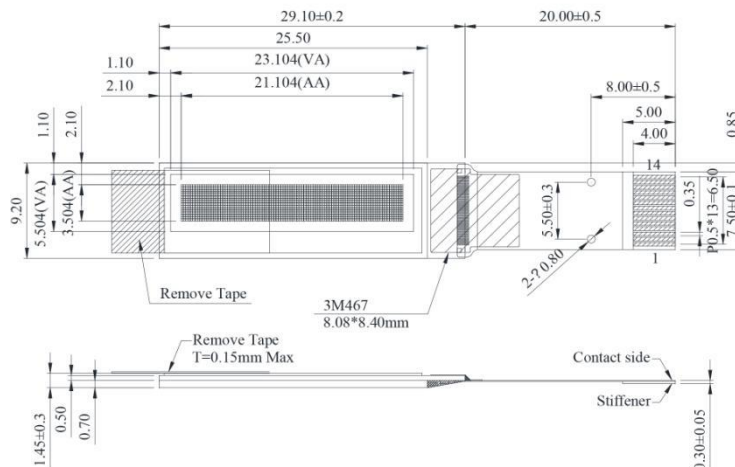


## 0.84 inch OLED WEO009616A

WEO009616A is a 0.84 inch Graphic passive matrix OLED display module which is made of 96 x16 dots. This 0.84" WEO009616A has the module dimension of 29.1×9.2 × 1.45 mm and Active Area size 21.104×3.504 mm. WEO009616A is built in with SSD1306BZ IC, it supports I2C interface, 3V power supply. The WEO009616A is a COG structure OLED display which is ultra thin and no need of backlight (self emitting); it's lightweight and low power consumption. This 0.84 inch small sized OLED display is suitable for wearable device, E-cigarette, MP3, personal care appliance, portable device, voice recorder pen, health device, etc. The standard emitting colors for WEO009616A are available in white and sky blue. WEO009616A module can be operating at temperatures from -40°C to +80°C; its storage temperatures range from -40°C to +80°C. Below is the basic specification of WEO009616A as reference.



Item – WEO006448A	Dimensions	Unit
Size	0.84	inch
Dot Matrix	96 X 16 Dots	-
Module Dimensions	29.1 × 9.2 × 1.45	mm
Active Area	21.104 × 3.504	mm
Pixel Size	0.198 × 0.208	mm
Pixel Pitch	0.220 × 0.220	mm
Display Mode	Passive Matrix	-
Display Colour	Available color: White / Sky Blue	-
Drive Duty	1/16 Duty	-
IC	SSD1306BZ	
Interface	I2C	



Datasheets and additional information can be found on: <http://www.winstar.com.tw>